



POWER TRANSMISSION
FLUID POWER
Divisions



Solutions for the MATERIAL HANDLING Industry

PMP
INDUSTRIES

COMPLETE SOLUTIONS from a single supplier

DURABILITY, EFFICIENCY and SERVICEABILITY

Pmp Industries designs, develops and manufactures reliable solutions for the Material Handling Sector. PMP provides a range of solutions tailored on the applications specific requirements and on the customers needs. PMP Power Transmission and Fluid Power Divisions integrated themselves perfectly to provide the customer with complete solutions from both worlds.

PMS are **drive systems for electric industrial vehicles** our mission is to design, develop and manufacture the most efficient, reliable and quiet gearboxes for each specific application.

PMC track drives integrate PMP's long term experience in harsh environment applications with dedicated design solutions for each specific equipment. The Final result is increased durability even in the toughest conditions.

PMR wheel drives are used on applications where flexible hydraulic or electric traction is required. Featuring wet disk parking brakes and mechanical disengage system, PMR drives can be used on any wheeled equipment where reliability strength and smoothness of operation are required.

PMH MKF and **PMH MKV** are plug in type **motors** designed for high pressure heavy duties applications and feature the most compact designed with several valve options available.

PMH high pressure axial piston **pumps** are specifically designed to be used on heavy duty machines for traction and auxiliary functions, providing efficiency and durability.

PMP

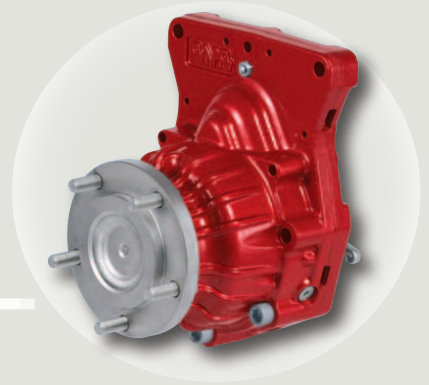
INDUSTRIES

Solutions for
FORKLIFTS and TOW TRACTORS





PMS, Dual Drives



Specification

	PMS 601	PMS 701	PMS 855	PMS 880
Max output torque [Nm]	1.300	3.000	5.000	10.000
Max input speed [rpm]	5.000	5.000	5.000	4.000
Available ratios [1:]	18-27	17,5-29,5	20-36	20-36
Max wheel load [kg]	2.800	4.400	6.200	9.000
Typical electric motor power [kW]	5	7,5	8-10	12-18
Forklifts	1.0 - 2.0 t	2.5 - 3.5 t	4.0 - 5.5 t	6.0 - 8.0 t
Tow tractors	up to 13 t	up to 30 t	up to 50 t	up to 80 t

Features



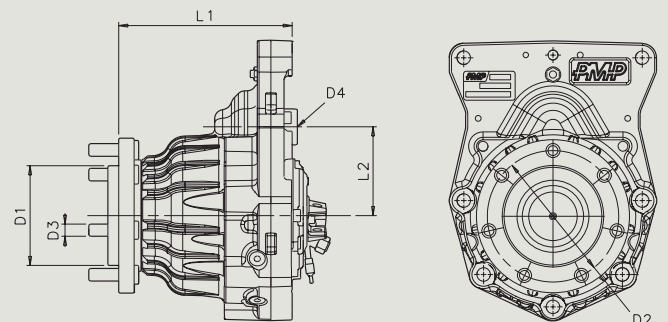
Integrated **wet disk brakes** located in a separate chamber. This unique configuration provides **superior braking performance, longer oil change intervals, higher efficiency** thanks to a patented disengage system.



100% final testing of the drives. This is PMP Industries commitment to guarantee full reliability and traceability.

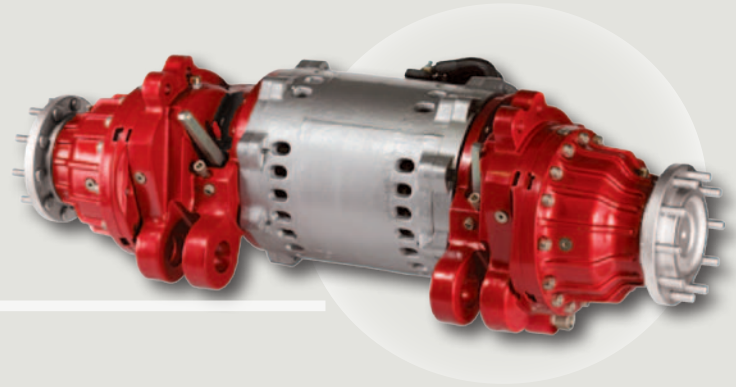
Dimensions

	PMS 601	PMS 701	PMS 855	PMS 880
L1	191,4	230	283	188,5
L2	98	117	142	326
D1	110	136	176	220
D2	145	170	225	275
D3	7x M14x1,5	10x M14x1,5	10x M20x1,5	8x M22x1,5
D4	DIN5482			





PMS, Drive Axles



Specification

	PMS 701HS	PMS 855HS	PMS 701HSTR
Max output torque [Nm]	2x3.000	2x5.000	2x3.000
Max input speed [rpm]	5.000	5.000	5.000
Available ratios [1:]	17,5-29,5	20-36	17,5-29,5
Max wheel load [kg]	8.800	12.400	8.800
Typical electric motor power [kW]	15	16-20	18-20
Forklifts	2,5 - 3,5 t	4,0 - 5,5 t	-
Tow tractors	-	up to 50 t	up to 30 t

Features



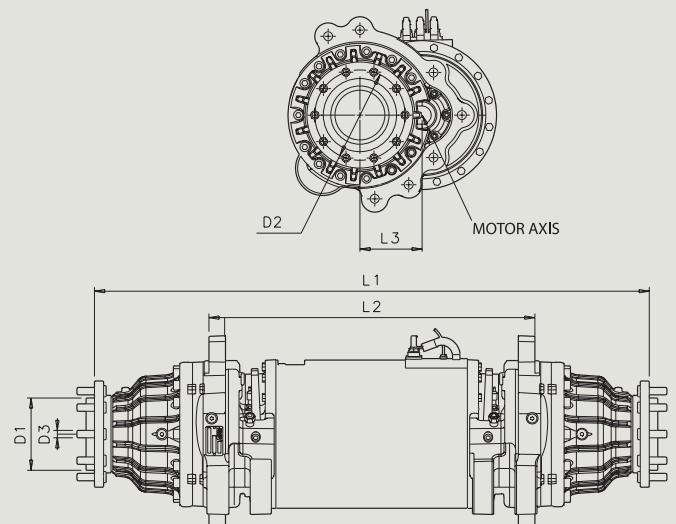
PMS drives are designed to provide the highest levels of quietness and efficiency, especially in combination with **high speed AC motors**.



The **hollow shaft motors located between the gearboxes** provide reduced envelope dimensions, thus allowing more room to lower the centre of gravity of the vehicle and optimize ergonomics.

Dimensions

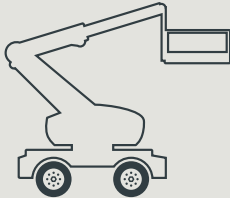
	PMS 701HS	PMS 855HS	PMS 701HSTR
L1	1045	1290	1149
L2	614	790	673
L3	117	142	117
D1	136	176	136
D2	170	225	170
D3	10x M14x1,5	10x M20x1,5	10x M14x1,5



PMP

INDUSTRIES

Solutions for
AERIAL PLATFORMS





PMR, wheel drives



Specification

	PMR 680	PMR 700	PMR 1100	PMR 1200	PMR 2000	PMR 3000	PMR 4000
Max output torque [Nm]	7.000	7.800	11.000	12.000	20.000	30.000	40.000
Max input speed [rpm]	3.500	3.500	3.500	3.500	3.500	3.500	3.500
Available ratios [1:]	18-55	24-51.2	15-55	32-54	19-169	60-151	76-146
Weight [kg]	50	60	85	110	110	165	180

Features



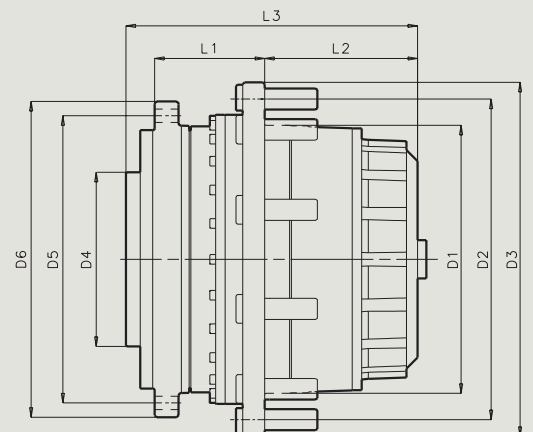
PMR gearboxes feature **special gear profiles**, in order to optimize gear contact at all torque and loading conditions thus reaching the highest possible gearbox life.



Innovative design in wet multiple disk brake solutions led to **four international patents** for PMP in the past years.

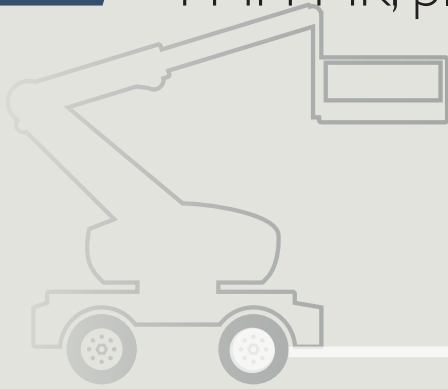
Dimensions

	PMR 680	PMR 700	PMR 1200	PMR 2000	PMR 3000	PMR 4000
L1	107	72	96	96	82	91
L2	112	166	201	201	240	218
L3	258	273	297	297	342	344
D1	200	220	280	280	320	350
D2	241	275	330	330	380	400
D3	278	310	370	370	410	435
D4	179	190	270	270	240	300
D5	209	230	300	300	285	285
D6	242	270	330	330	383,4	383,4





PMH MK, plug in hydraulic motors



Specification*

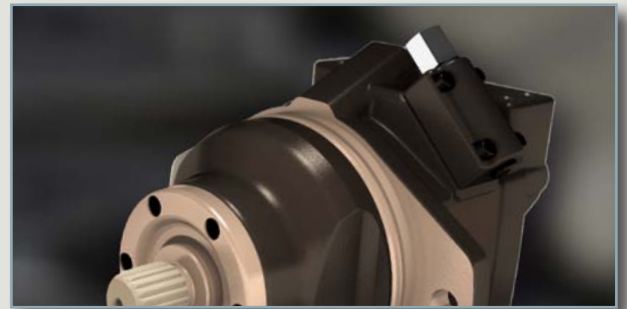
	PMH 55		PMH 72		PMH 90		PMH 110	
	MKF	MKV	MKF	MKV	MKF	MKV	MKF	MKV
Displacement [cc/rev]	55	55	72	72	90	90	110	110
Max output speed [rpm]	4.300	4.800	4.100	4.500	4.000	4.400	3.800	4.300
Max pressure [bar]	450	450	450	450	450	450	450	450
Max output torque [Nm]	350	350	460	460	570	570	700	700
Weight [kg]	25	27	28	33	36	40	36	40

* MKF - fixed motor / MKV - variable two position motor

Features



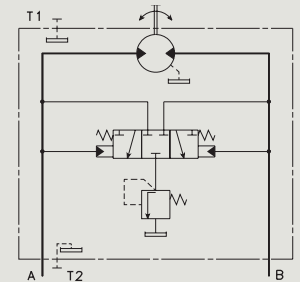
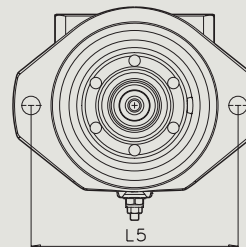
Valve plates use **extremely hard materials** and their geometry is optimized for durability and efficiency.



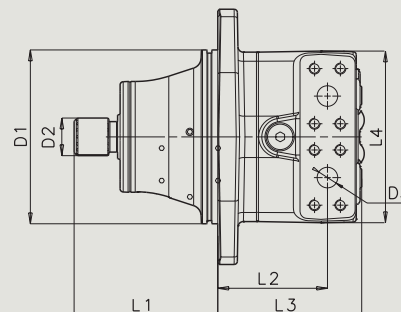
MKV series feature **fully customizable variable motors** with **several controls available**.

Dimensions

	PMH 55		PMH 72		PMH 90		PMH 110	
	MKF	MKV	MKF	MKV	MKF	MKV	MKF	MKV
L1	132	132	132	156	156	168	156	173
L2	110	110	110	125	130	140	130	140
L3	145	154	148	157	160	169	160	169
L4	158	158	170	170	195	195	195	195
L5	200	200	200	200	224	224	224	224
D1	160	160	160	190	190	200	190	200
D2	DIN 5480							
D3	19	19	25,4	25,4	25,4	25,4	25,4	25,4

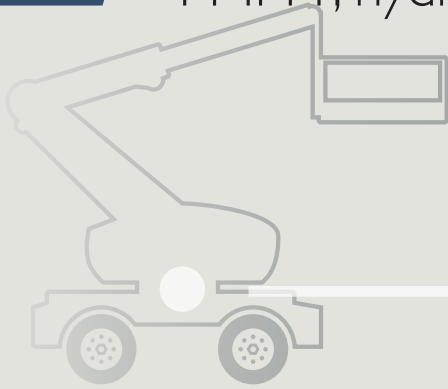


PMH MKF version





PMH P, hydraulic pumps



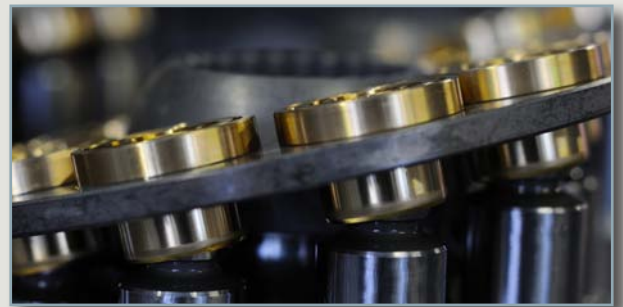
Specification

	PMH P 55	PMH P 72	PMH P 90	PMH P 110
Displacement [cc/rev]	55	72	90	110
Max shaft speed [rpm]	4.000	4.000	4.000	3.800
Max pressure [bar]	450	450	450	450
Input torque @250 bar [Nm]	235	308	385	460
Weight [kg]	42	55	66	66

Features



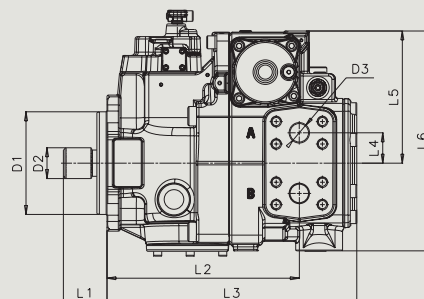
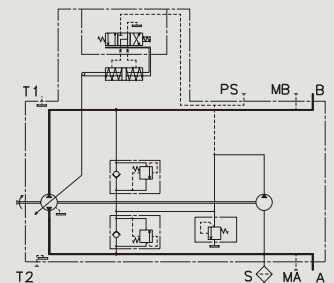
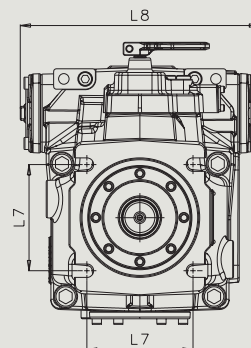
Rotating blocks are made in **special steel** and use **full bronze cylinder sleeves**.



The cylinder block is manufactured by using **premium materials** and adopting an **innovative preload system** which increases motor life.

Dimensions

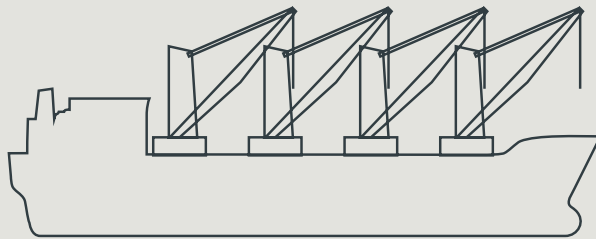
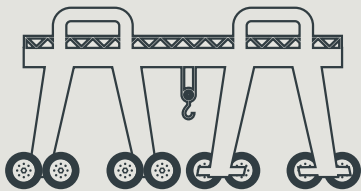
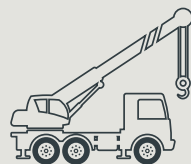
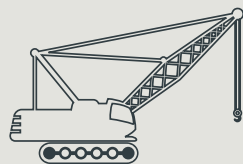
	PMH P 55	PMH P 72	PMH P 90	PMH P 110
L1	56	53,9	53,9	53,9
L2	210	238	238	238
L3	265	309	309	309
L4	42	37,5	37,5	37,5
L5	130	163	163	161,8
L6	228	271,5	271,5	270,3
L7	114,4	114,4	114,4	114,4
L8	221	258	258	258
D1	127	127	127	127
D2	ANSI B.92.1			
D3	25,4	25,4	25,4	25,4



PMP

INDUSTRIES

Solutions for
CRAWLER CRANES, TRUCK CRANES,
RUBBER CRANES, SHIP CRANES





PMC, track drives



Specification

	PMC 4000	PMC 4500	PMC 5000	PMC 6000	PMC 9000	PMC 11000
Max output torque [Nm]	40.000	45.000	55.000	62.000	90.000	110.000
Max Input speed [rpm]	3.500	3.500	3.000	3.000	3.000	3.000
Available ratios [1:]	76-146	55-135	99-170	99-170	62-231	84.7
Weight [kg]	180	190	270	280	445	450

Features



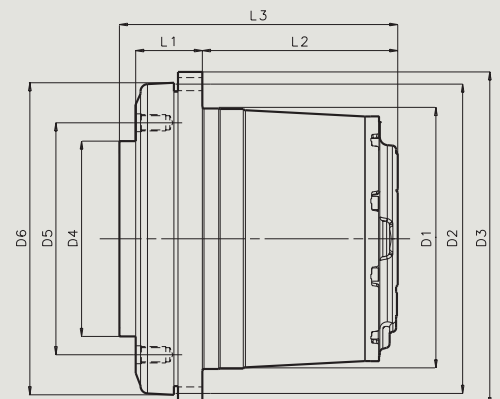
PMC gearboxes feature **special gear profiles** in order to optimize gear contact in a wide range of loading conditions.



PMC brake system takes advantage of the PMP 15 year experience in **wet multiple disk brake** technology.

Dimensions

	PMC 4000	PMC 4500	PMC 5000	PMC 6000	PMC 9000	PMC 11000
L1	91	90	104	110	130	165
L2	240	256	283	283	318	318
L3	351	396	425	413	468	503
D1	350	350	394	410	460	460
D2	400	400	455	455	510	500
D3	435	435	490	490	550	540
D4	240	330	280	280	420	420
D5	285	370	325	325	460	460
D6	383,4	410	425,8	425,8	500	500





PMC, track drives - XL size



Specification	PMC 13000	PMC 18000	PMC 24000	PMC 38000	PMC 45000	PMC 90000	PMC 120000	PMC 250000
Max output torque [Nm]	130.000	180.000	240.000	380.000	450.000	900.000	1.200.000	2.500.000
Max Input speed [rpm]	3.000	3.000	3.000	3.600	3.000	2.700	3.000	3.000
Available ratios [1:]	148	210	210	80-239	327-421	380	406	552
Weight [kg]	630	760	825	1250	1450	3900	7300	11.000

Features



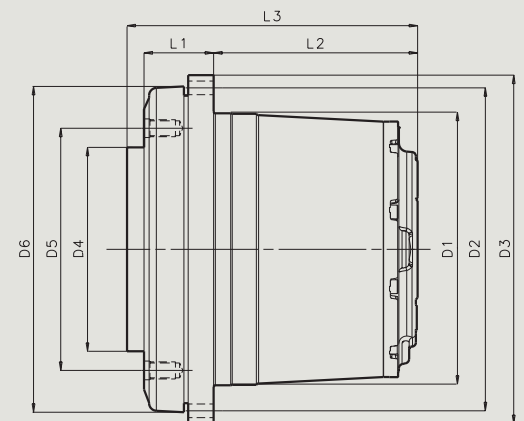
PMC gearboxes feature **special gear profiles** in order to optimize gear contact in a wide range of loading conditions.



PMC brake system takes advantage of the PMP 15 year experience in **wet multiple disk brake** technology.

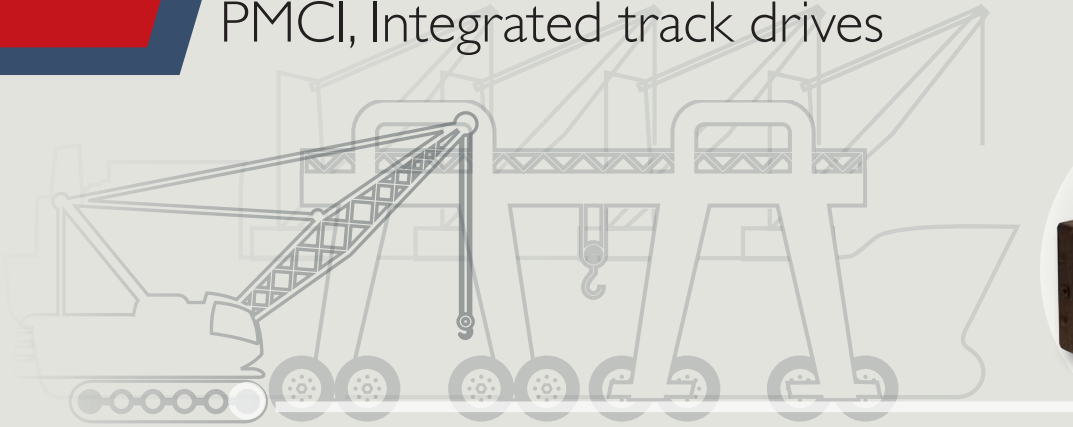
Dimensions

	PMC 13000	PMC 18000	PMC 24000	PMC 38000	PMC 45000	PMC 90000	PMC 120000	PMC 250000
L1	170	170	170	130	255	229	400	590
L2	350,5	360	372	430	315,5	820	700	1020
L3	565	590	597	660	912,5	1482	1600	1850
D1	560	576	610	650	540	920	1100	1200
D2	610	626	680	720	620	976	1150	1300
D3	660	670	735	775	670	1055	1220	1400
D4	450	450	460	570	450	830	1100	1300
D5	510	510	600	680	570	980	1250	1400
D6	570	570	650	735	670	1050	1300	1500





PMCI, Integrated track drives



Specification

	PMCI 4000	PMCI 4500	PMCI 6000	PMCI 9000	PMCI 11000	PMCI 22000
Available ratios [I:]	62-73	80-113	60-142	65-183	172,8	325
Max output torque [Nm]	40.000	45.000	62.000	90.000	110.000	220.000
Displacement max [cc]	110	110	180	180	180	180
Max pressure [bar]	350	350	350	350	280	280
Park brake torque [Nm]	335	335	600	800	593	593
Weight [kg]	260	260	370	495	505	1100

Features



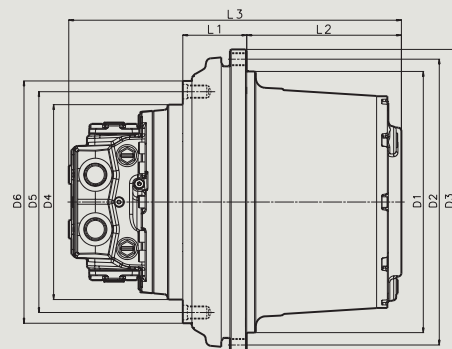
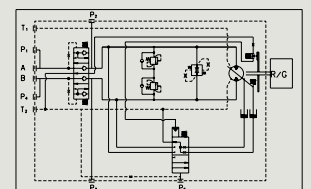
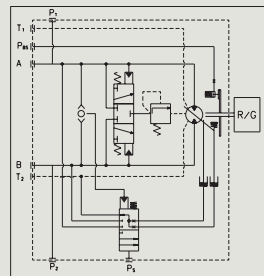
Rotating blocks are made in **special steel** and use **full bronze** cylinder sleeves.



PMCI series are available both in **open loop** and in **closed loop** version.

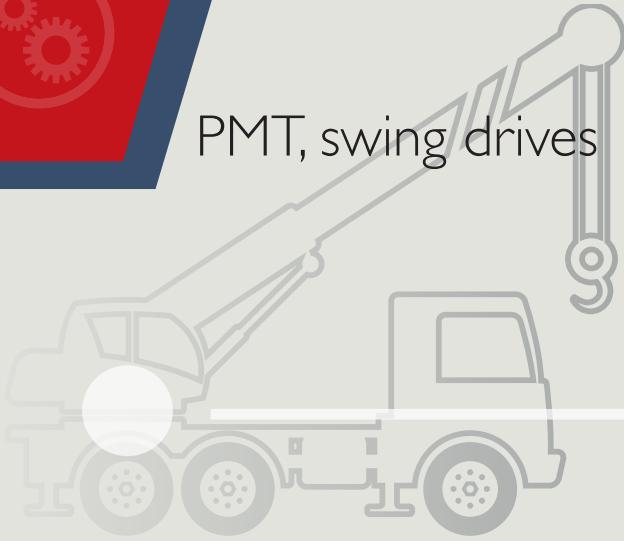
Dimensions

	PMCI 4000	PMCI 4500	PMCI 6000	PMCI 9000	PMCI 11000	PMCI 22000
L1	98,5	98,5	102,5	148	165	255
L2	216	240	283	317	317	362
L3	490	513	535	607	607	779
D1	402	402	450	460	460	634
D2	440	440	492	510	500	620
D3	470	470	525	550	540	670
D4	300	300	380	410	420	450
D5	340	340	440	455	460	515
D6	373	382,5	480	493	500	570





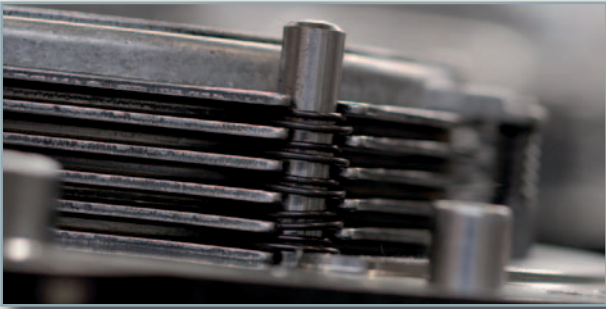
PMT, swing drives



Specification

	PMT 650	PMT 1000
Max output torque [Nm]	6.500	10.000
Max Input speed [rpm]	3.500	3.500
Available ratios [1:]	12-40	12-120
Weight [kg]	85	130
Concrete pump size [m ³]	24-30	30-36

Features



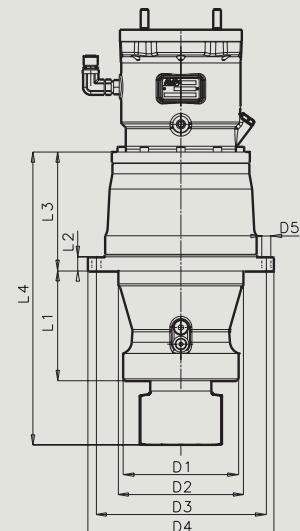
Wet disk brake features a patented system which allows **immediate disk separation when the brake is released**, thus minimizing heat generation.



PMT drives feature **outstanding radial load capacity** on the output pinion, which can be integrated or removable with splined connection.

Dimensions

	PMT 650	PMT 1000
L1	171	220
L2	22	25
L3	376	387
L4	647	707
D1	180	200
D2	195	250
D3	265	325
D4	290	360
D5	13	17





**Complete Solutions
from a Single Supplier**



Everywhere in the world
transmitting our
winning philosophy

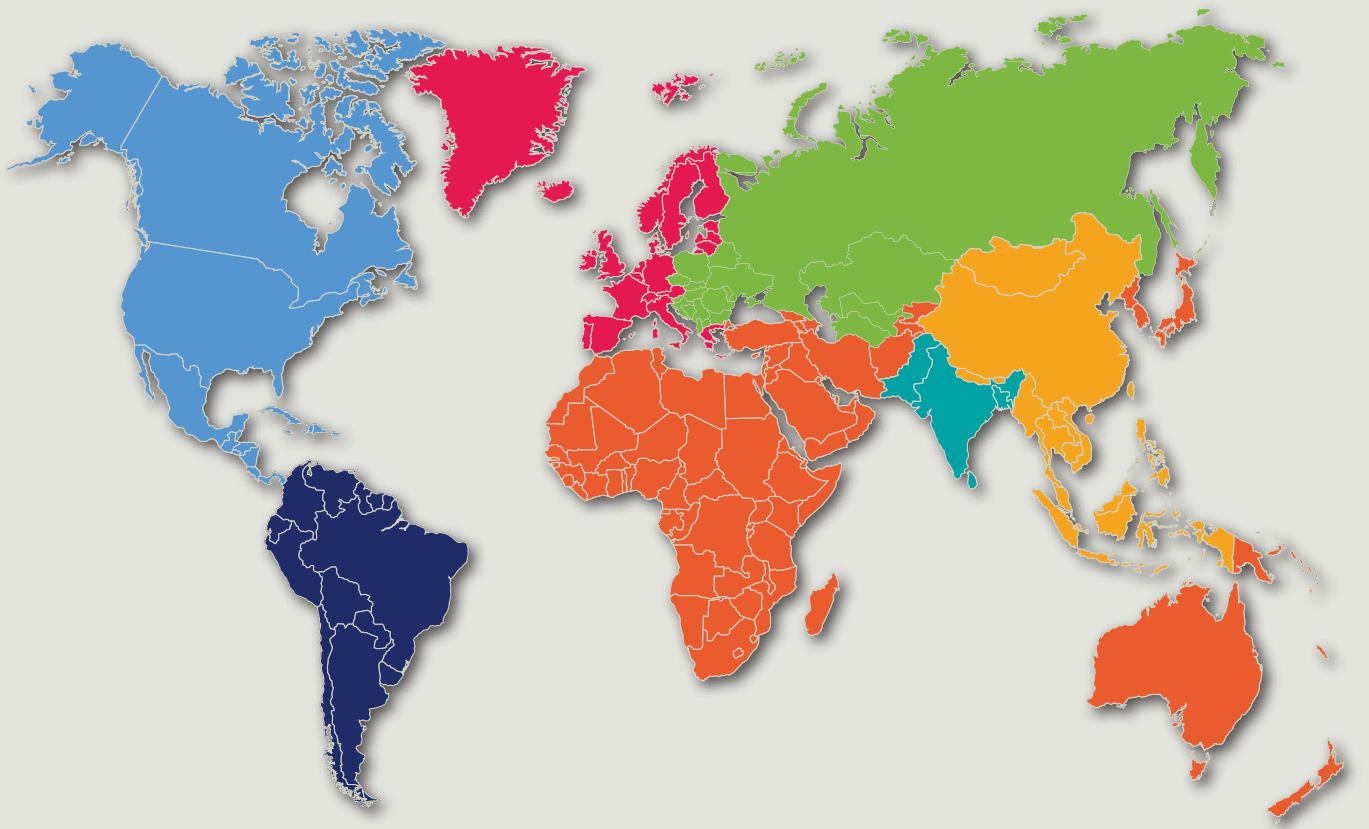
PMP, THE APPLICATION SPECIALIST








Global Presence, worldwide growth

PMP Power Transmission and Fluid Power Divisions are part of PMP Industries Spa, the holding company of an international group including 5 entities, 4 business divisions and 1000 employees worldwide.

Through its four divisions, **PMP Industries is capable of serving a wide range of businesses globally**: from the Construction Equipment to the Steel industry, from AG & Forestry to Mining equipment manufacturers, from the Wind to the Marine industry.

PMP Industries HQ are located in Italy where the company was first established in 1991. Today PMP's four manufacturing locations supply mechanical transmissions, hydraulic transmissions, heavy metal fabrications and dedusting systems worldwide.



- | | | |
|-------------------------------------------------------------------------------------|---------------------------|---------------------------------------------------------------------------------------------------------------|
|  | WESTERN EUROPE | e-mail: sales.eu@pmp-industries.com
T. +39 0432 863 611 |
|  | NORTH and CENTRAL AMERICA | e-mail: sales.usa@pmp-industries.com
T. +1 513 563 3008 |
|  | SOUTH AMERICA | e-mail: sales.sa@pmp-industries.com
T. +39 0432 863 622 |
|  | CHINA and SOUTH EAST ASIA | e-mail: sales.cn@pmp-industries.com
T. +86 512 827 066 88 |
|  | INDIAN SUBCONTINENT | e-mail: sales.ind@pmp-industries.com
T. +91 954 565 9221 |
|  | RUSSIA and EASTERN EUROPE | e-mail: sales.ru@pmp-industries.com
T. +39 0432 863 670 |
|  | REST OF THE WORLD | e-mail: sales@pmp-industries.com
T. +39 0432 863 611 |

ITALY

BOSNIA-HERZEGOVINA

USA

CHINA

INDIA

BRAZIL



**POWER
TRANSMISSION**
Division



**FLUID
POWER**
Division



**STEEL
WORKS**
Division



**ENVIRONMENTAL
DEDUSTING**
Division



www.pmp-industries.com